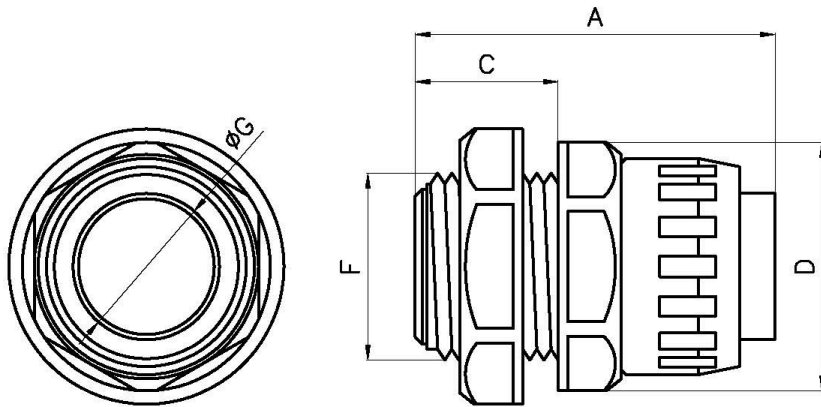


RPS Fittings

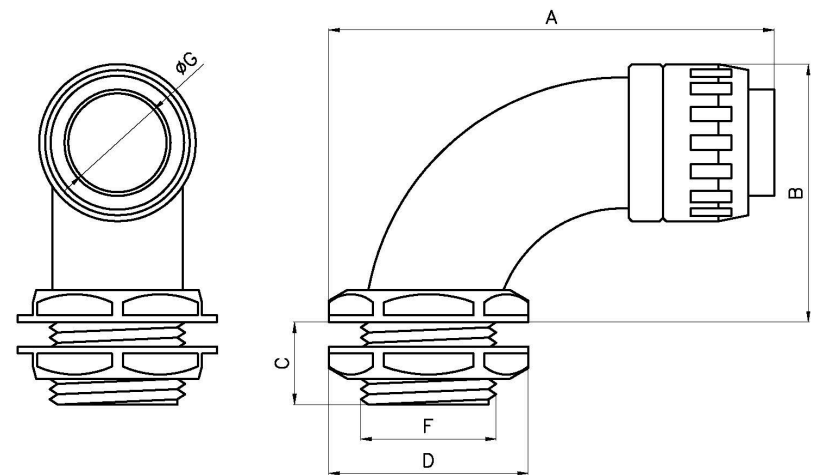
CUR Fittings

CATALOG NUMBER	SIZE				
	A	C	D	(I)G	F
RPS 12	42	14	25	12	16.5 (3/8" int.)
RPS 16	46	15	30	16	20.7 (1/2" int.)
RPS 20	48	16	35	20	26 (3/4" int.)
RPS 25	50	18	42	25	32.7 (1" int.)
RPS 32	53	19	56	32	41.9 (1 1/4" int.)
RPS 40	57	19	60	40	47.8 (1 1/2" int.)
RPS 50	58	19	72	50	59.6 (2" int.)

CATALOG NUMBER	SIZE					
	A	8	C	D	G	F
CUR 12	74	38	9	25	12	16.5 (3/8" int.)
CUR 16	84	42	10	30	16	20.7 (1/2" int.)
CUR 20	89	49	10	35	20	26 (3/4" int.)
CUR 25	99	56	12	45	25	32.7 (1" int.)
CUR 32	110	67	12	58	32	41.9 (1 1/4" int.)



STRAIGHT LIQUIDTIGHT FITTING



90° LIQUIDTIGHT FITTING