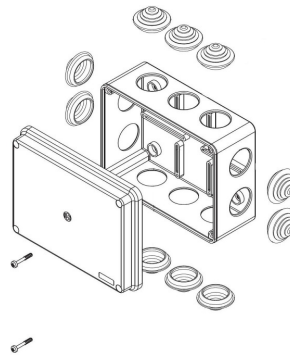
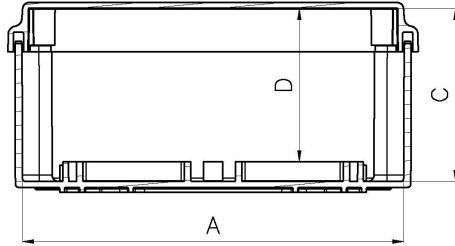


PC-1295S/12P

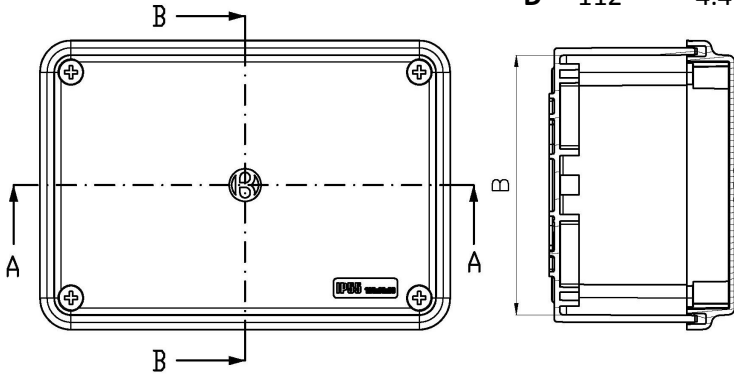


Basic Internal Dimensions

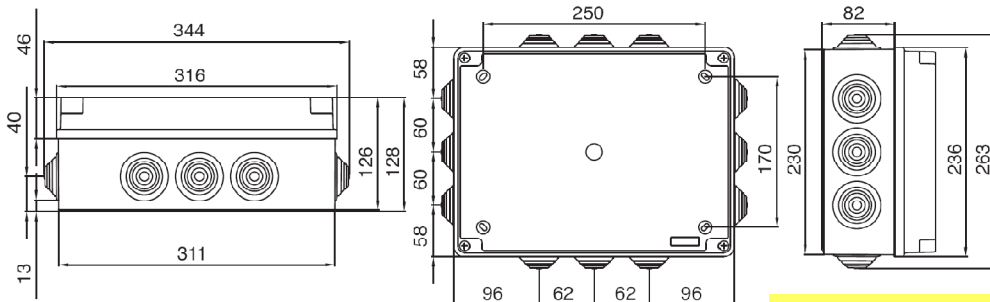


Dimensions:

	mm	in.
A -	305	12.01
B -	225	8.86
C -	121	4.76
D -	112	4.41



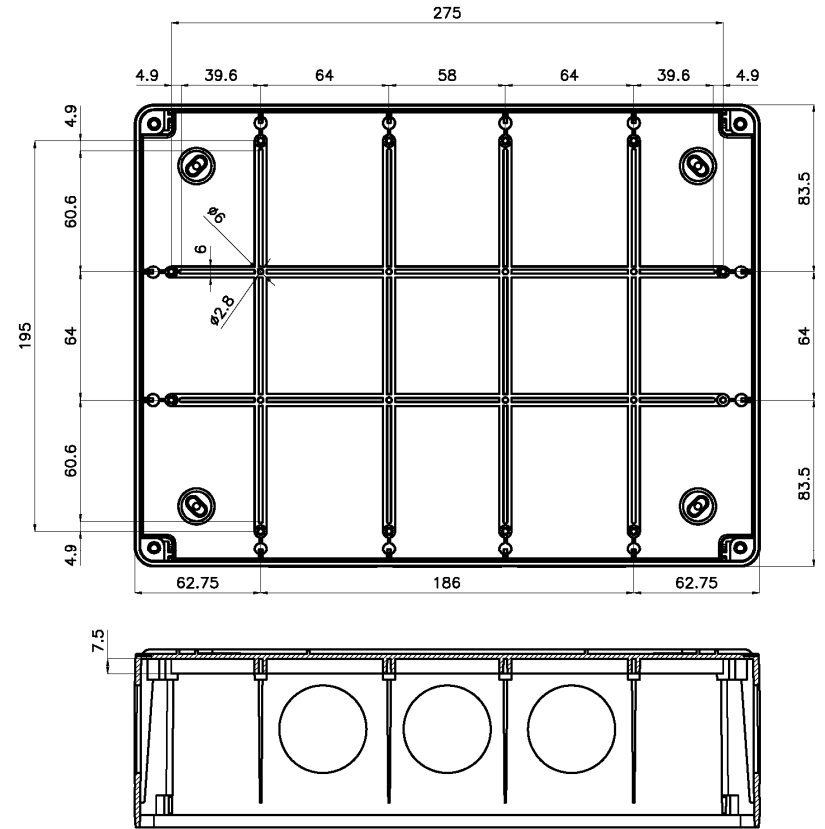
External Dimensions



All Dimensions are in Millimeters.

Optional Mounting Foot
Part # - MF-97

Internal Mounting Dimensions



Optional Mounting Plate

