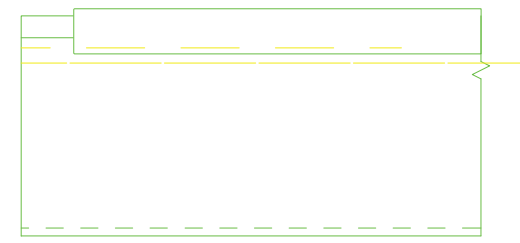
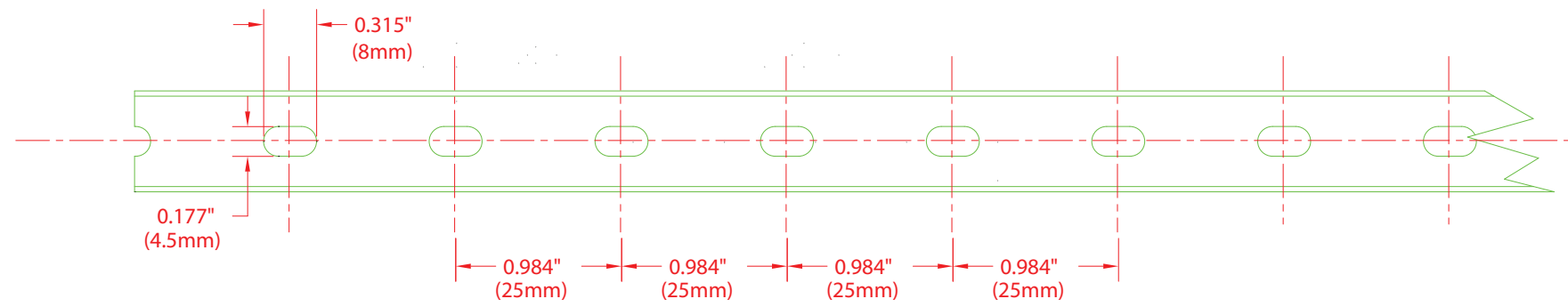


FRONT SECTION



SIDE VIEW



BASE PERFORATION



IBOLCO

DWG#

TSH-0510