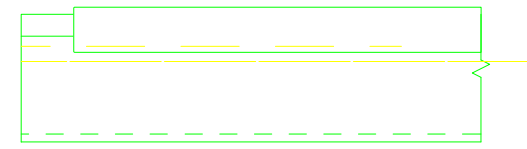
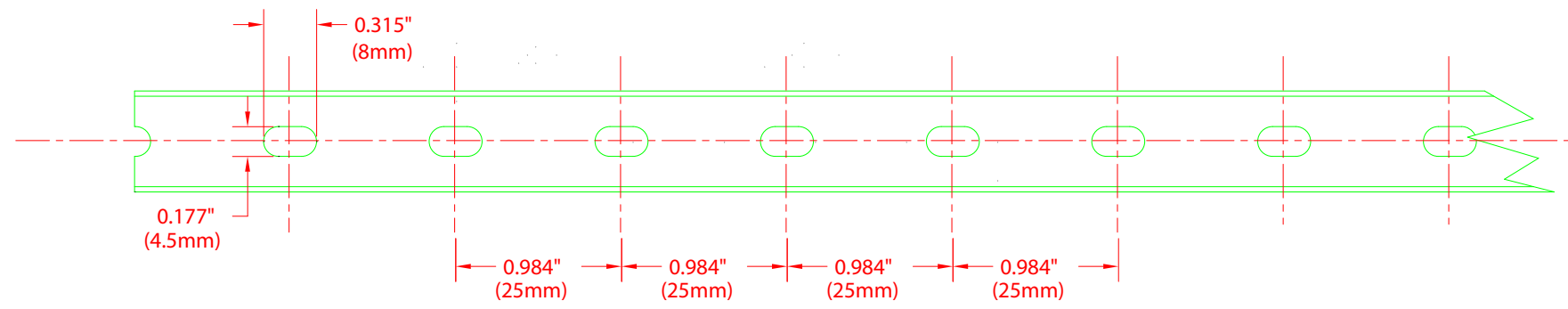


FRONT SECTION



SIDE VIEW



BASE PERFORATION

TSH-0506

DWG#

IBOLCO

