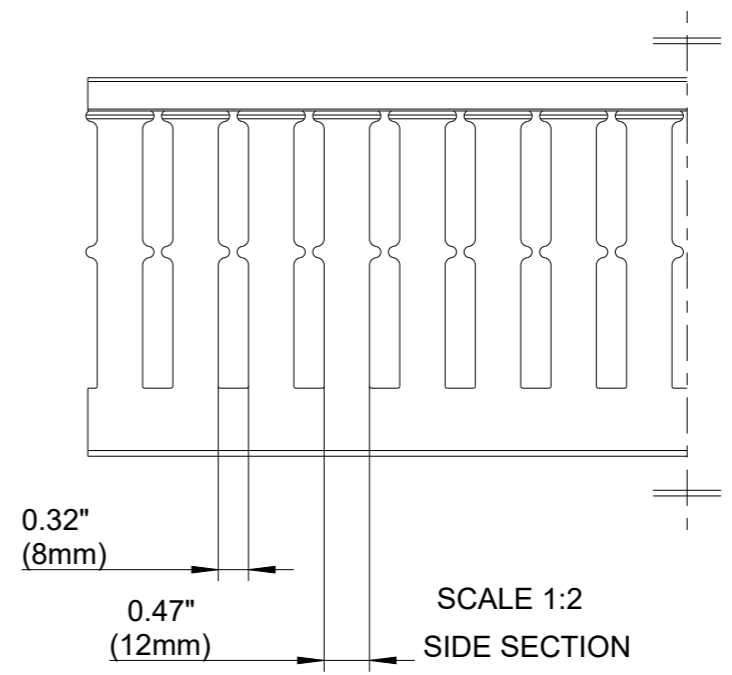
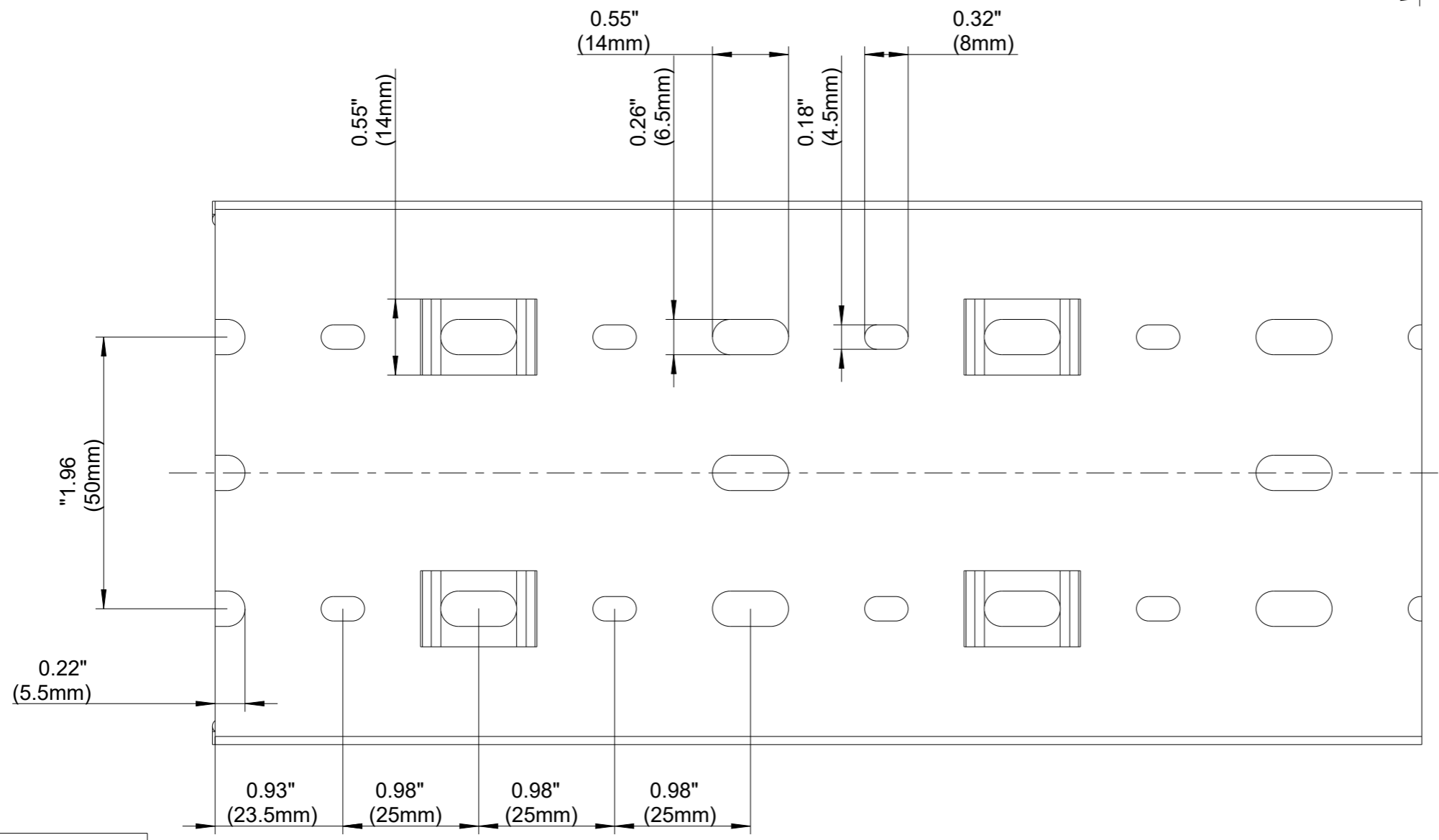


SCALE 1:2  
FRONT SECTION



SCALE 1:2  
SIDE SECTION



BASE PERFORATION



Ref. T1-F 100x100