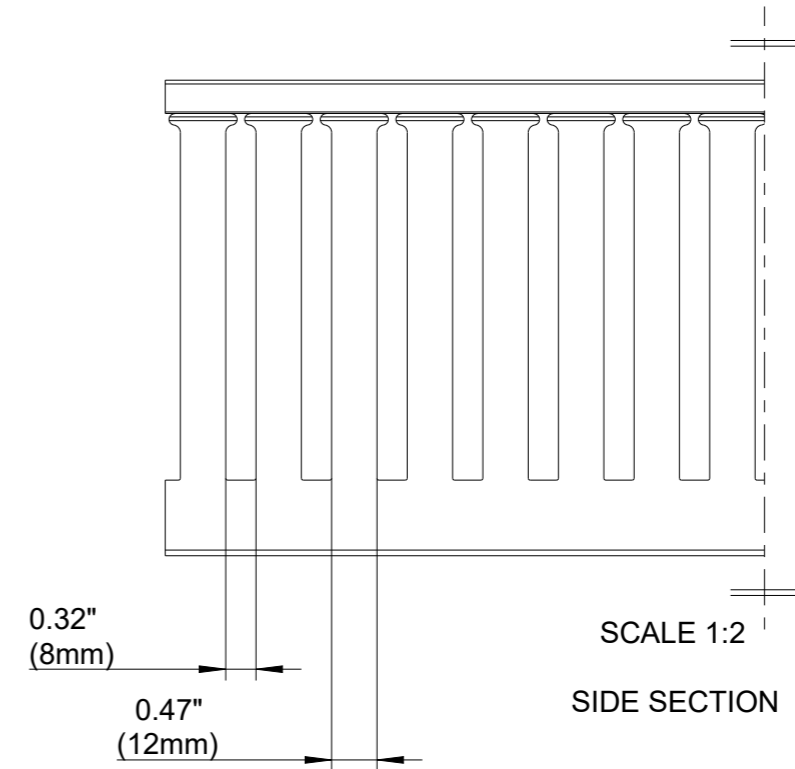
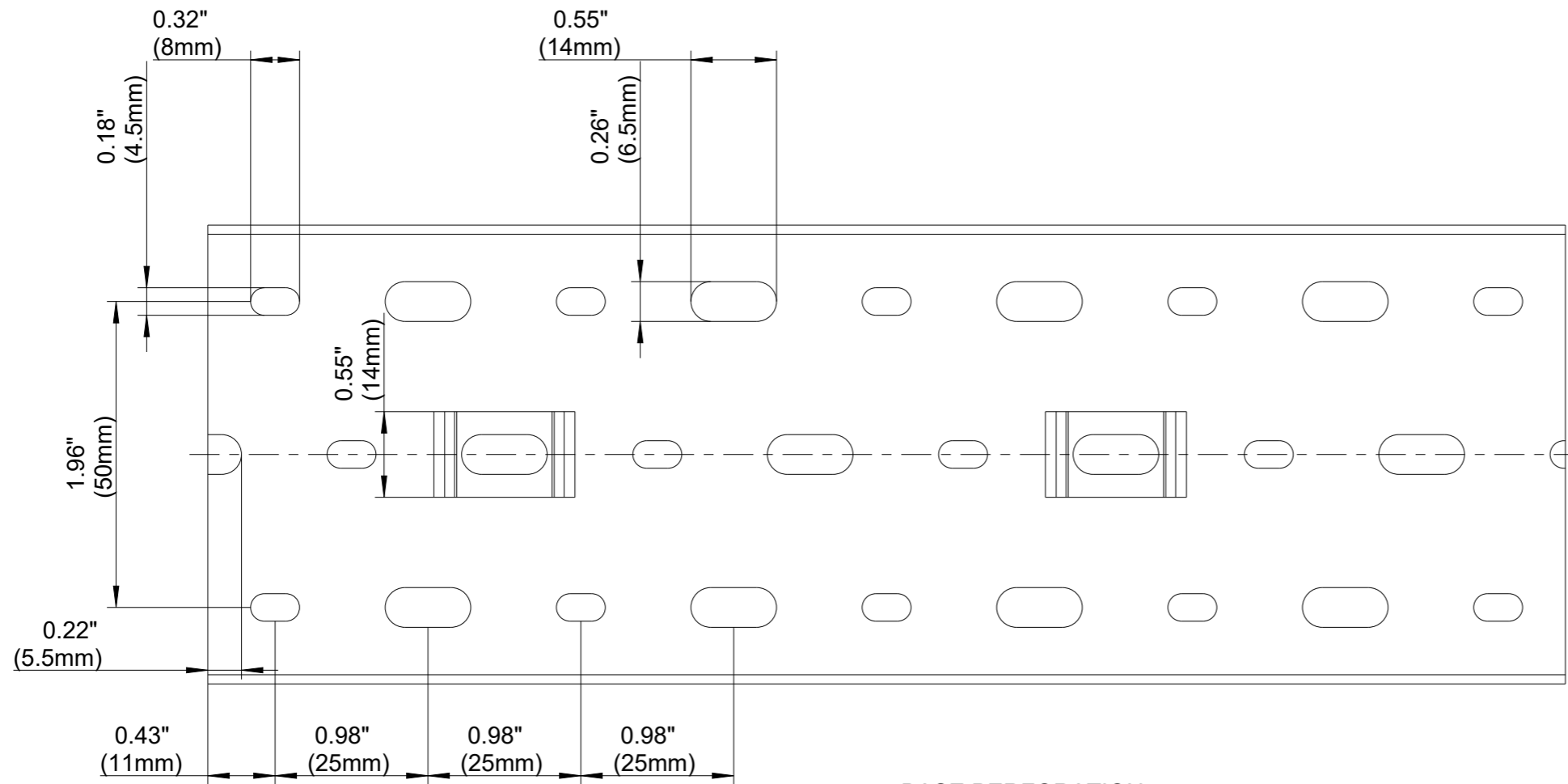


SCALE 1:2
FRONT SECTION



SCALE 1:2
SIDE SECTION



BASE PERFORATION