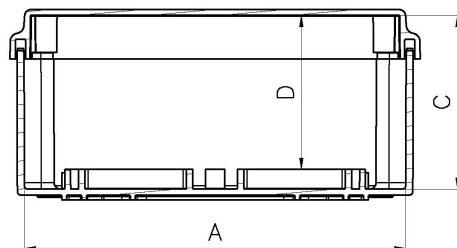


# PC-974C

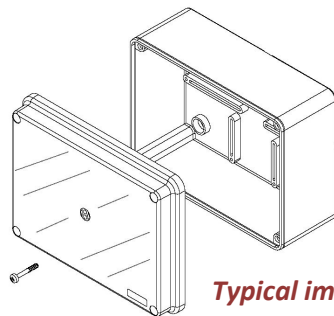
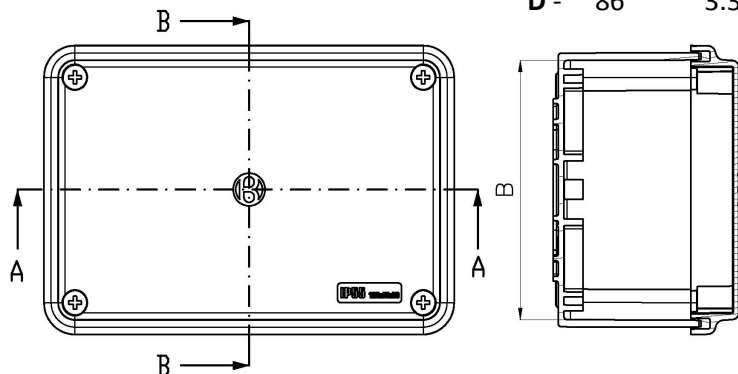


## Basic Internal Dimensions



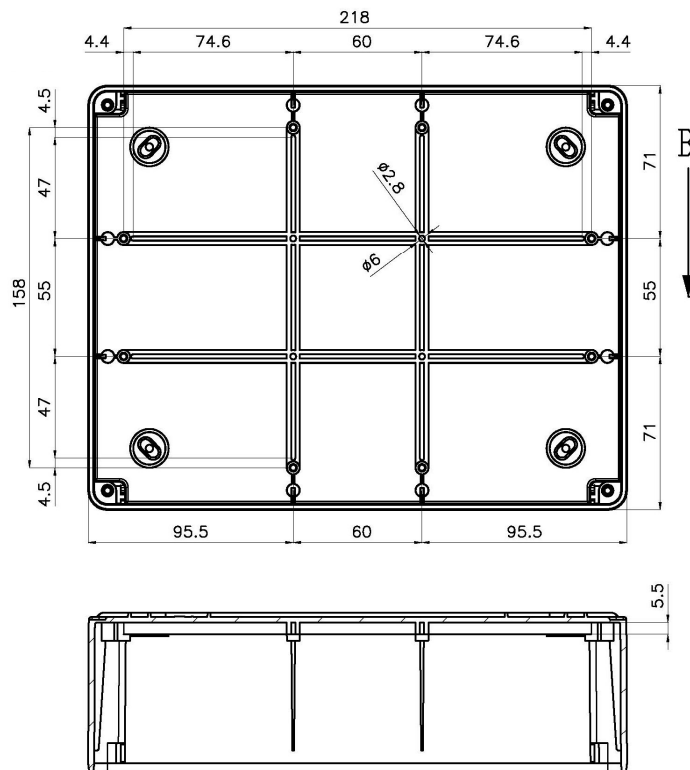
Dimensions:

	mm	in.
A -	245	9.65
B -	191	7.52
C -	91	3.58
D -	86	3.39

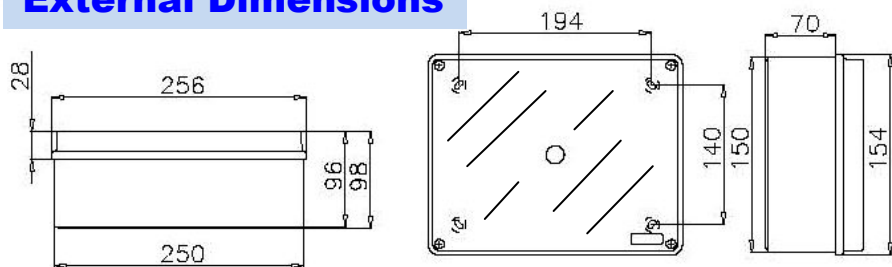


Typical image

## Internal Mounting Dimensions



## External Dimensions



All Dimensions are in Millimeters.

Optional Mounting Feet  
Part # MF-97



## Optional Mounting Plate

