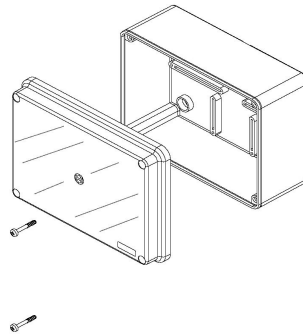


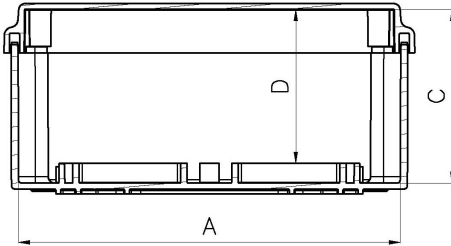
PC-18155C



Typical image

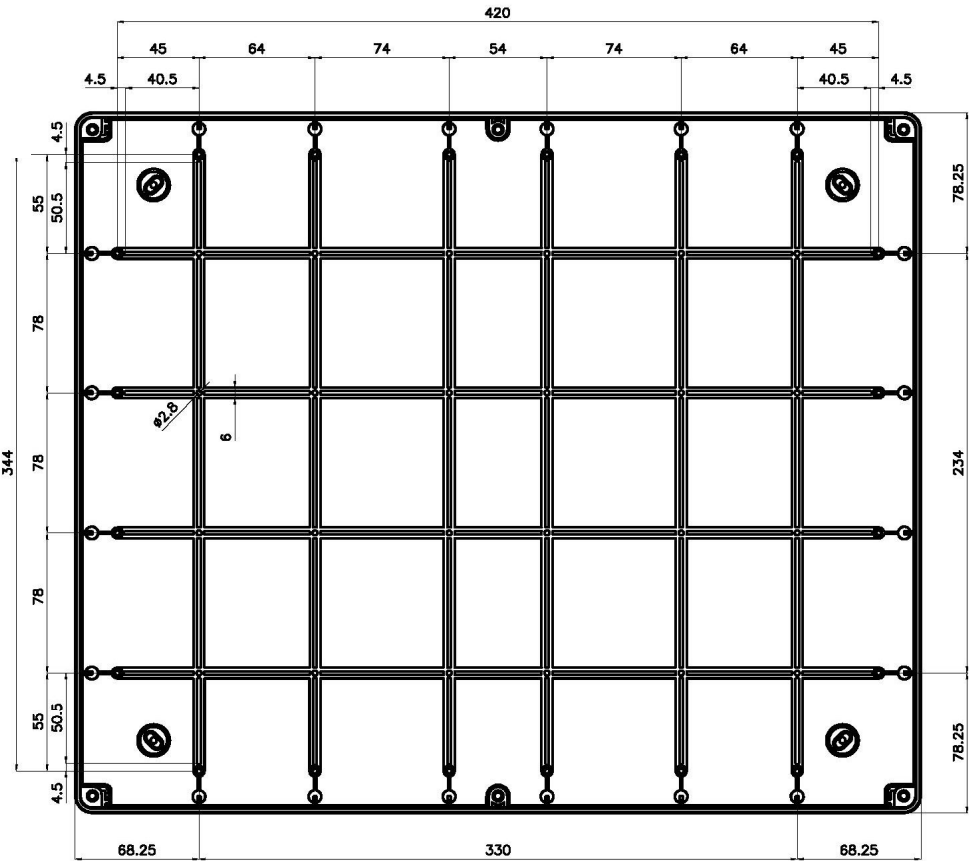
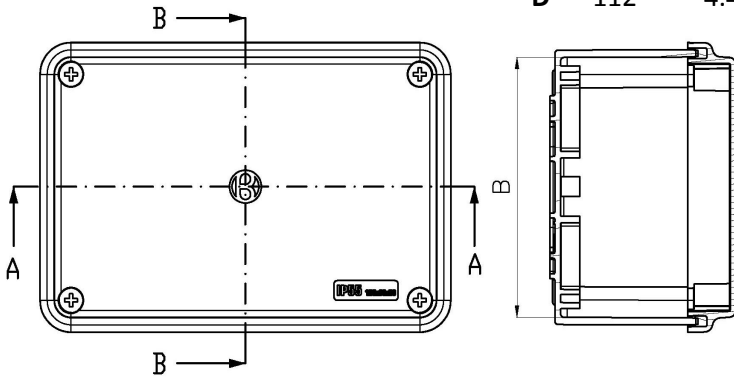
Internal Mounting Dimensions

Basic Internal Dimensions

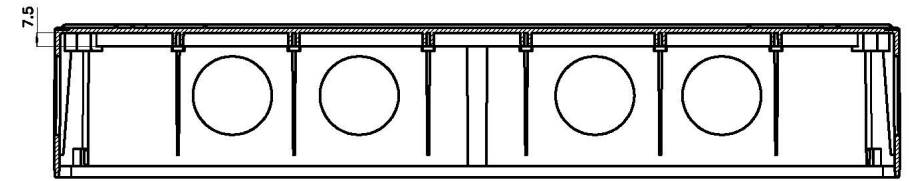
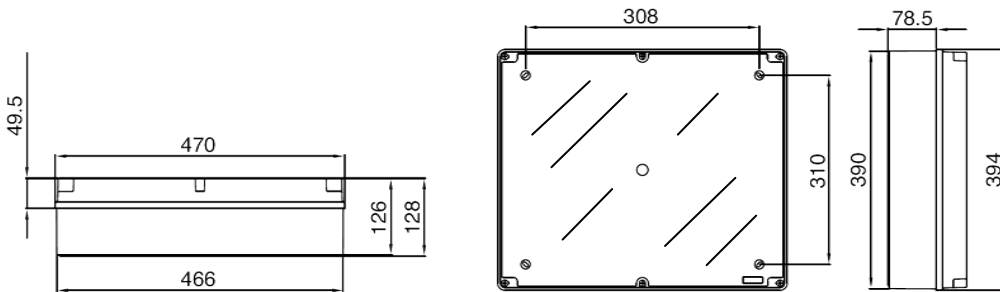


Dimensions:

	mm	in.
A -	460	18.15
B -	384	15.12
C -	120	4.72
D -	112	4.41



External Dimensions



Optional Mounting Foot
Part # MF-97

Optional Mounting plate
Part # MP-1815S

All Dimensions are in Millimeters.

