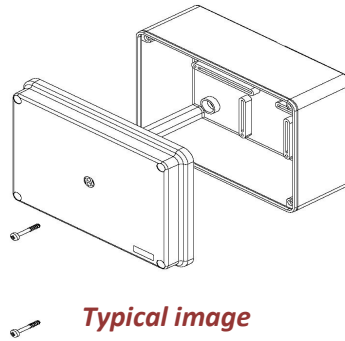
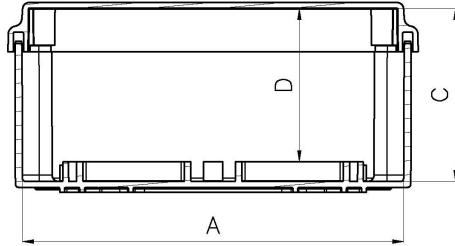


# PC-15125S



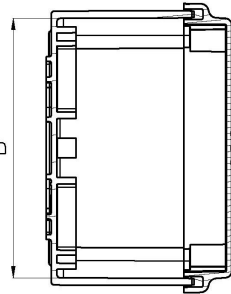
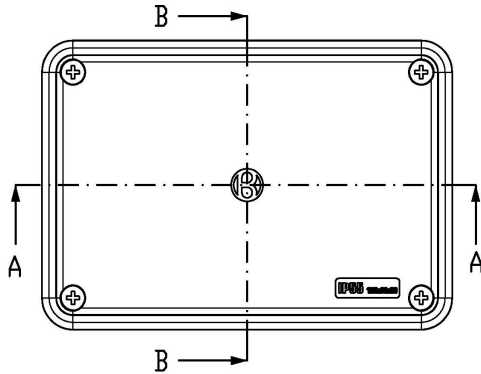
Typical image

## Basic Internal Dimensions

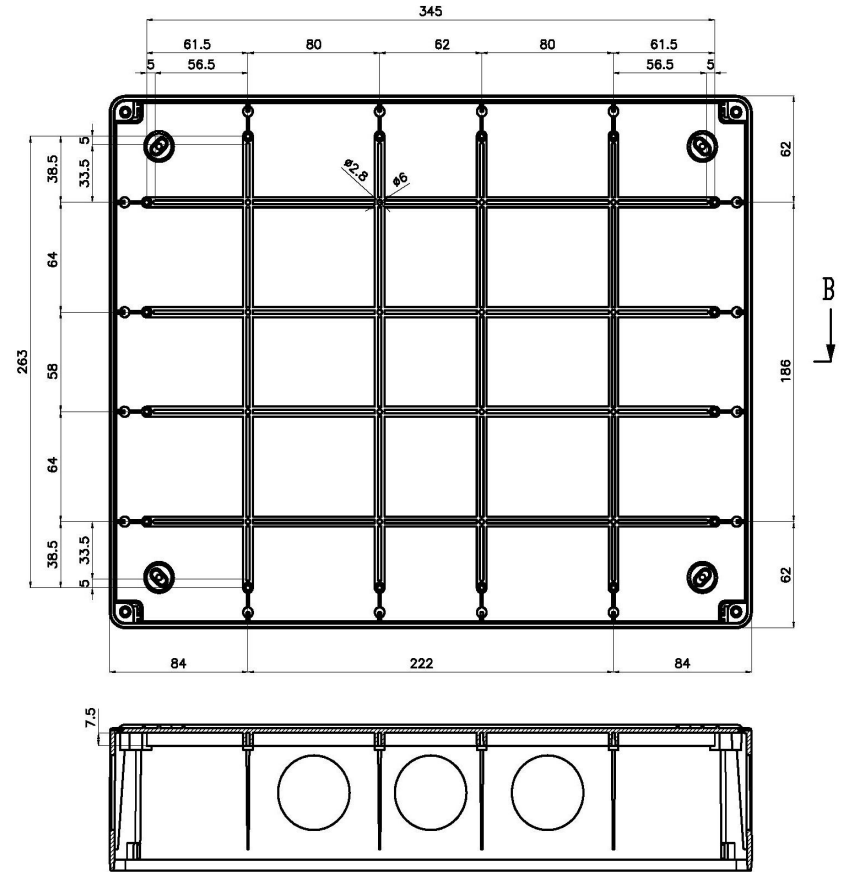


Dimensions:

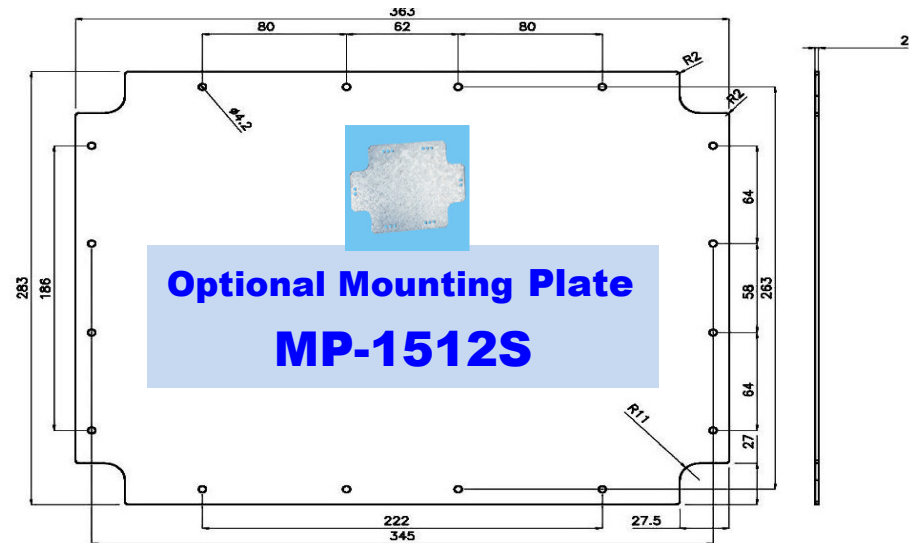
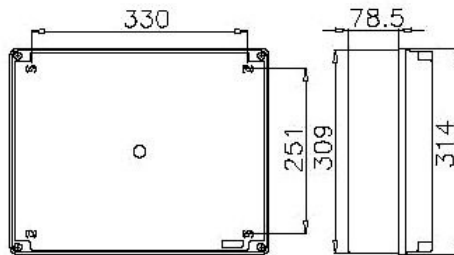
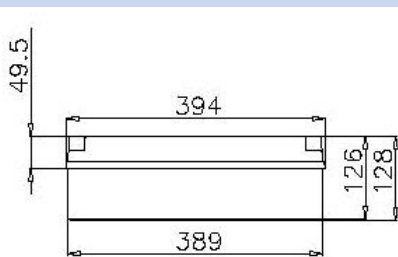
	mm	in.
A -	383	15.08
B -	303	11.93
C -	120	4.72
D -	112	4.41



## Internal Mounting Dimensions



## External Dimensions



Optional Mounting Plate  
**MP-1512S**

All Dimensions are in Millimeters.

Optional Mounting Feet

Part # MF-97

