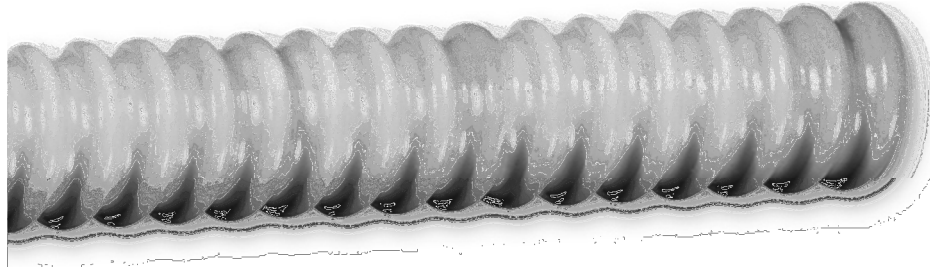


# GSI – Liquid Tight



IBOCO Part	ID	ID	OD	LN
GSI-12	3/8	0.47	0.65	98'
GSI-16	1/2	0.63	0.81	98'
GSI-20	3/4	0.79	0.97	98'
GSI-25	1	0.98	1.20	98'
GSI-32	1 1/4	1.25	1.50	98'
GSI-40	1 1/2	1.57	1.83	98'
GSI-50	2	1.97	2.24	98'



**IBOCO**

26 Northfield Avenue, Edison, NJ 08837 Tel: 732-417-0066 Fax: 732 417-1166

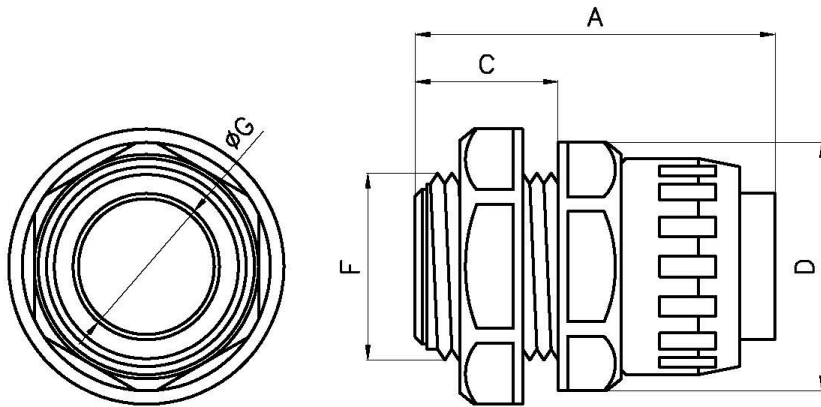
email: [iboco@iboco.com](mailto:iboco@iboco.com) website: [www.iboco.com](http://www.iboco.com)

# RPS Fittings

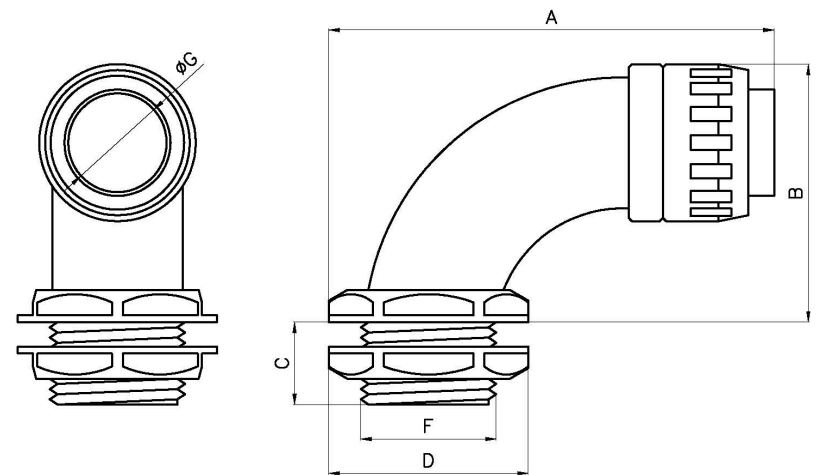
# CUR Fittings

CATALOG NUMBER	SIZE				
	A	C	D	(I)G	F
RPS 12	42	14	25	12	16.5 (3/8" int.)
RPS 16	46	15	30	16	20.7 (1/2" int.)
RPS 20	48	16	35	20	26 (3/4" int.)
RPS 25	50	18	42	25	32.7 (1" int.)
RPS 32	53	19	56	32	41.9 (1 1/4" int.)
RPS 40	57	19	60	40	47.8 (1 1/2" int.)
RPS 50	58	19	72	50	59.6 (2" int.)

CATALOG NUMBER	SIZE					
	A	8	C	D	G	F
CUR 12	74	38	9	25	12	16.5 (3/8" int.)
CUR 16	84	42	10	30	16	20.7 (1/2" int.)
CUR 20	89	49	10	35	20	26 (3/4" int.)
CUR 25	99	56	12	45	25	32.7 (1" int.)
CUR 32	110	67	12	58	32	41.9 (1 1/4" int.)



STRAIGHT LIQUIDTIGHT FITTING



90° LIQUIDTIGHT FITTING