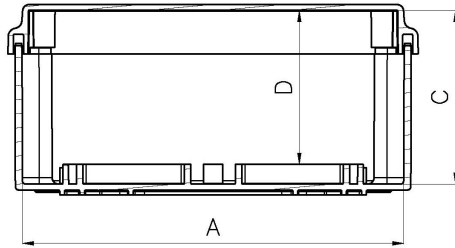


PC-442S



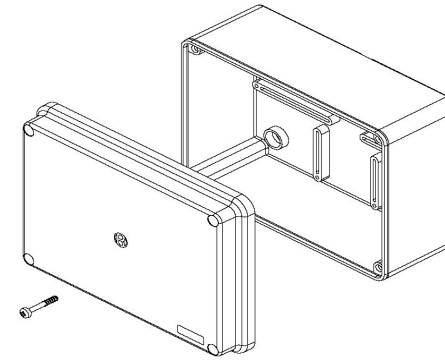
Typical image

Basic Internal Dimensions

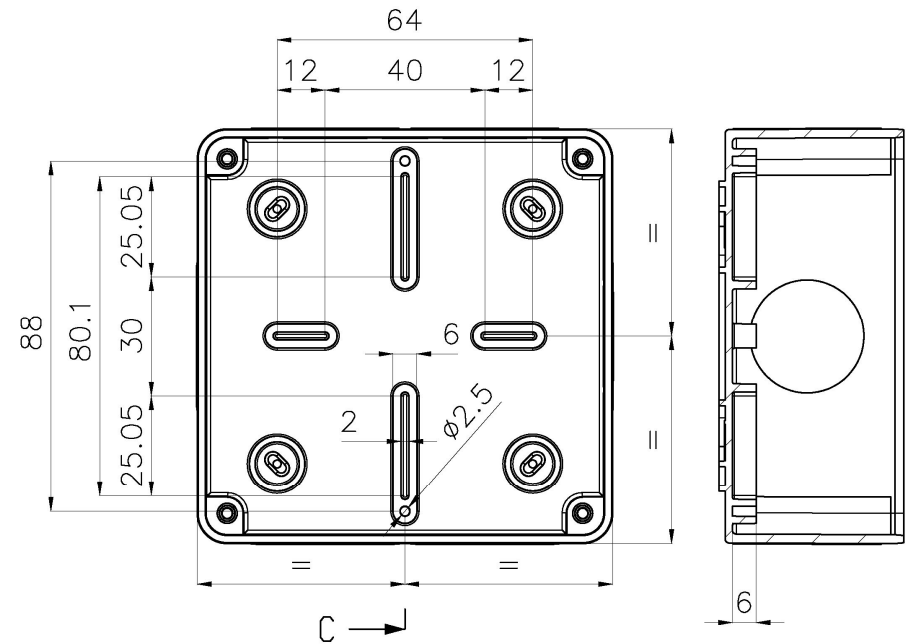
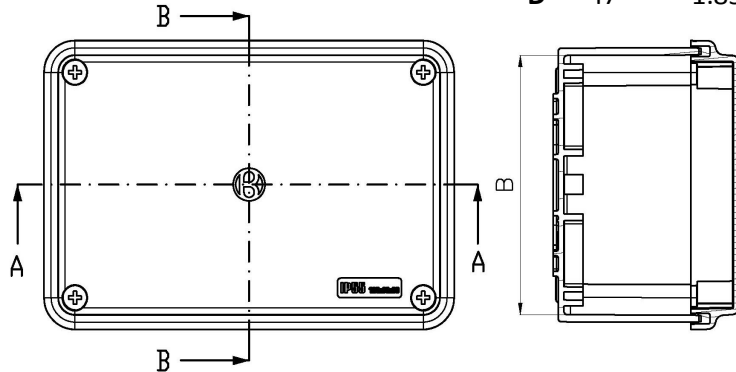


Dimensions:

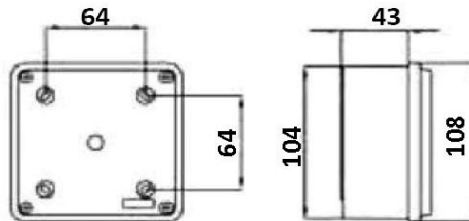
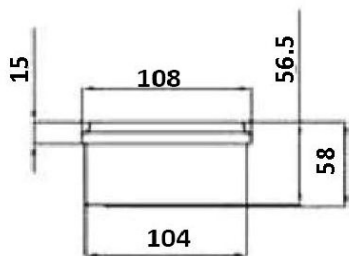
| | mm | in. |
|-----|----|------|
| A - | 99 | 3.90 |
| B - | 99 | 3.90 |
| C - | 53 | 2.07 |
| D - | 47 | 1.85 |



Internal Mounting Dimensions



External Dimensions



All Dimensions are in Millimeters.



IBOCO

26 Northfield Avenue, Edison, NJ 08837 Tel: 732-417-0066 Fax: 732 417-1166

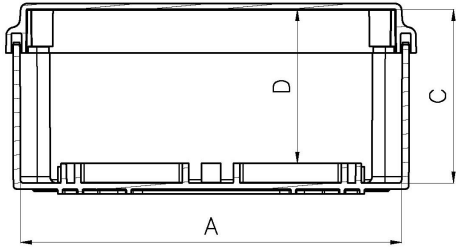
email: iboco@iboco.com website: www.iboco.com

PC-532S



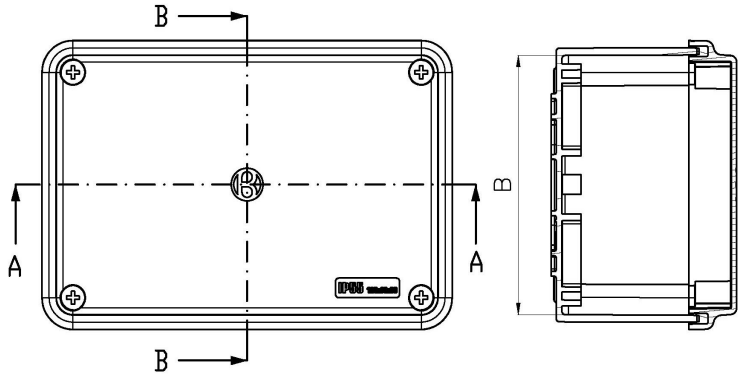
Typical image

Basic Internal Dimensions

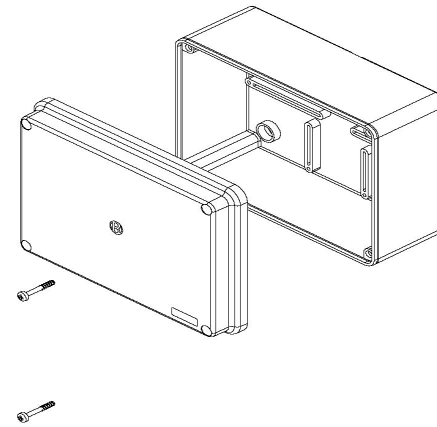
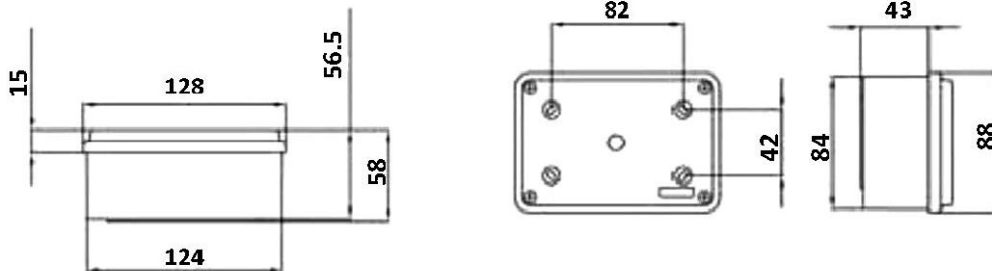


Dimensions:

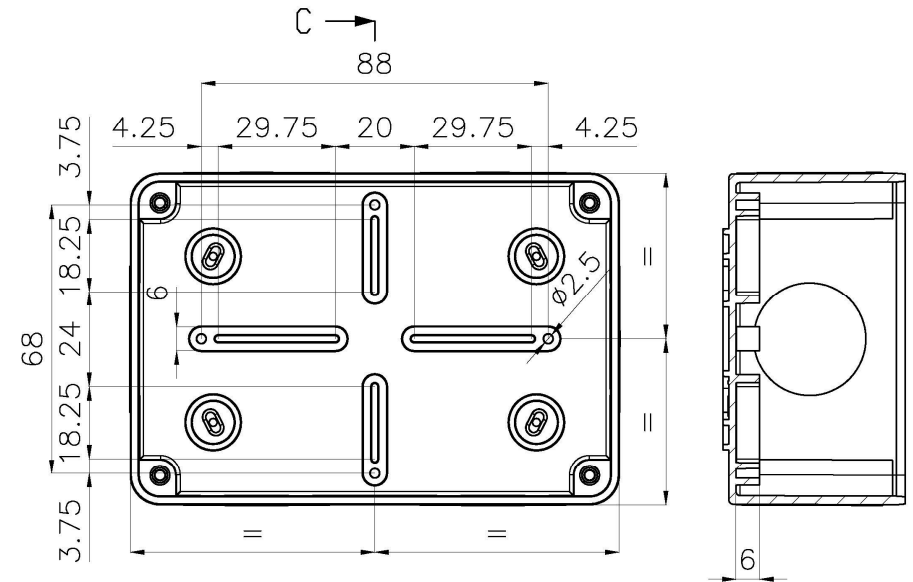
| | mm | in. |
|-----|-----|------|
| A - | 119 | 4.69 |
| B - | 79 | 3.11 |
| C - | 53 | 2.09 |
| D - | 47 | 1.85 |



External Dimensions



Internal Mounting Dimensions



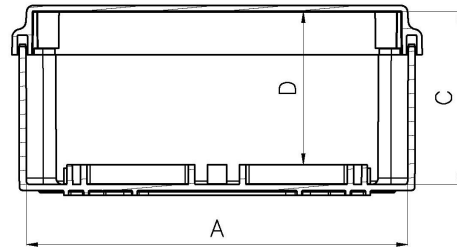
All Dimensions are in Millimeters.

PC-643S



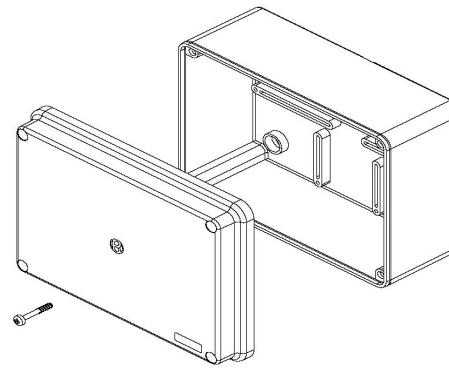
Typical image

Basic Internal Dimensions

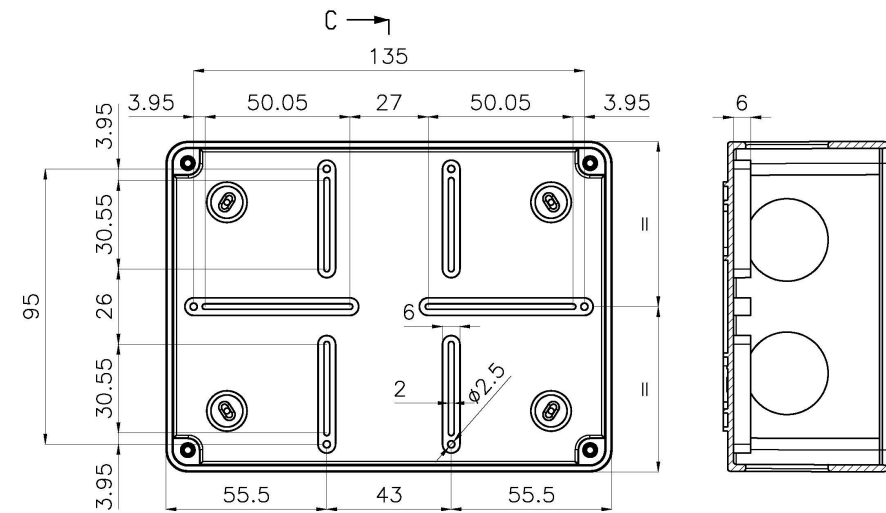
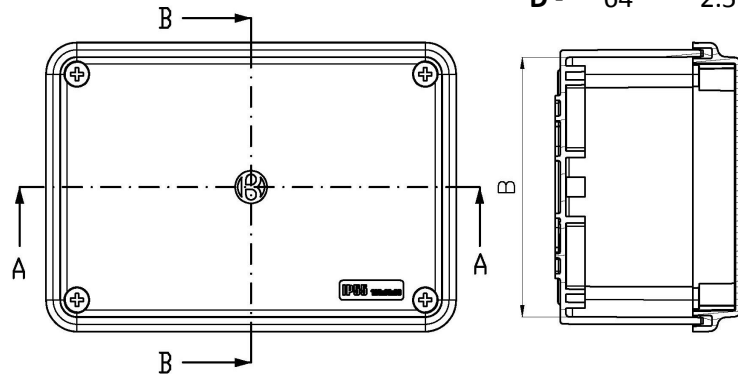


Dimensions:

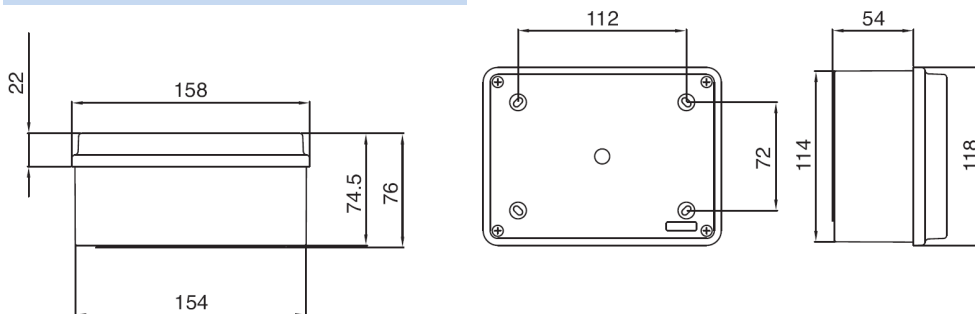
| | mm | in. |
|-----|-----|------|
| A - | 149 | 5.87 |
| B - | 109 | 4.29 |
| C - | 70 | 2.76 |
| D - | 64 | 2.52 |



Internal Mounting Dimensions



External Dimensions



All Dimensions are in Millimeters.



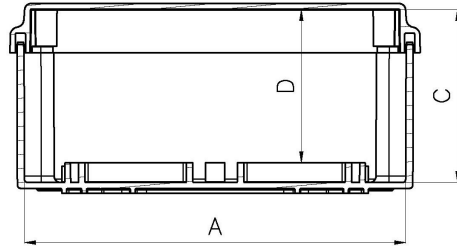
26 Northfield Avenue, Edison, NJ 08837 Tel: 732-417-0066 Fax: 732 417-1166

email: iboco@iboco.com website: www.iboco.com

PC-753S

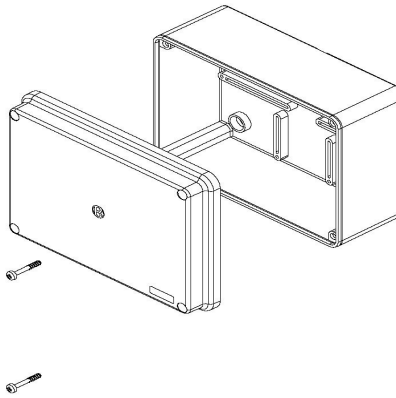
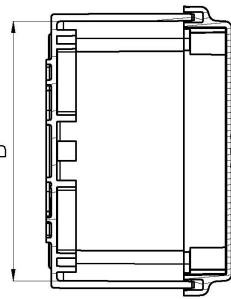
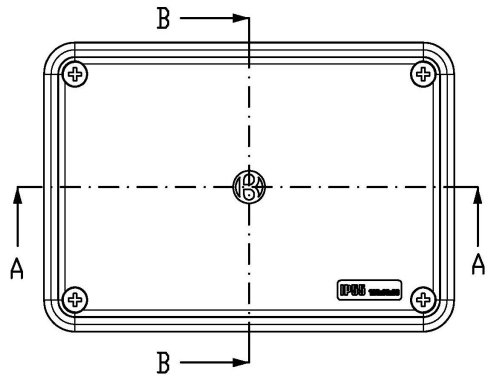


Basic Internal Dimensions



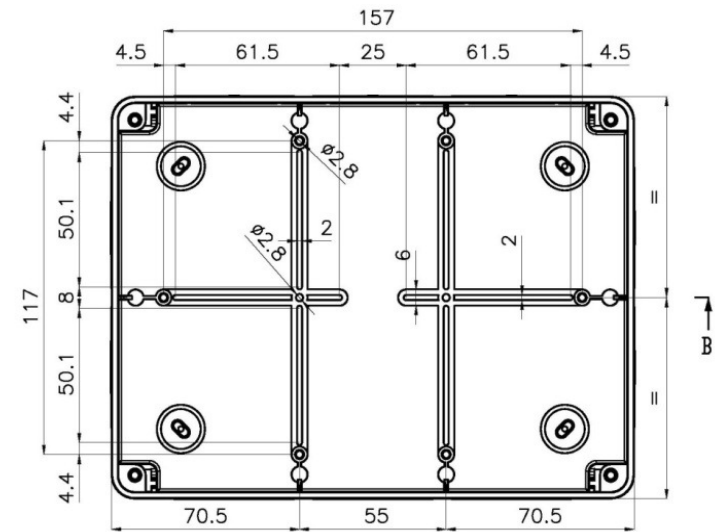
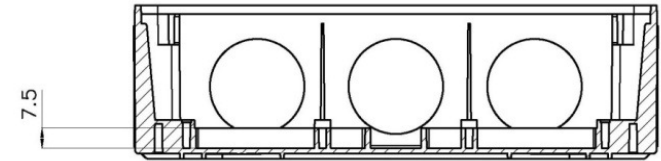
Dimensions:

| | mm | in. |
|-----|-----|------|
| A - | 190 | 7.48 |
| B - | 144 | 5.67 |
| C - | 73 | 2.87 |
| D - | 65 | 2.60 |

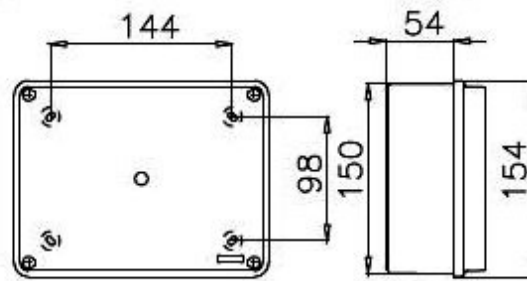
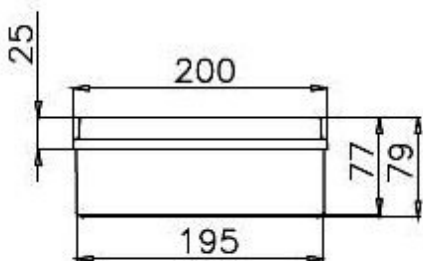


Typical image

Internal Mounting Dimensions

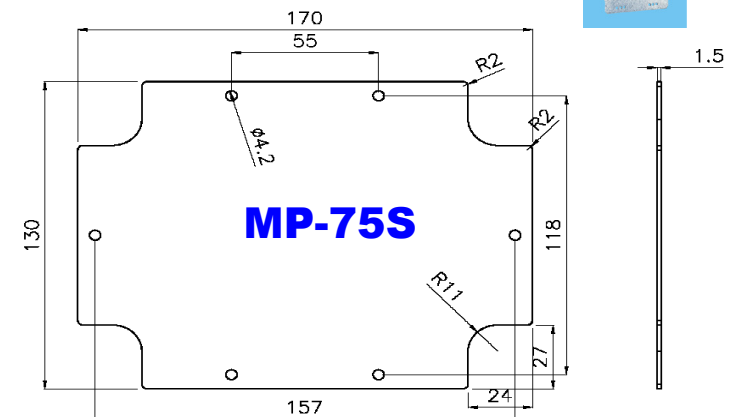


External Dimensions



All Dimensions are in Millimeters.

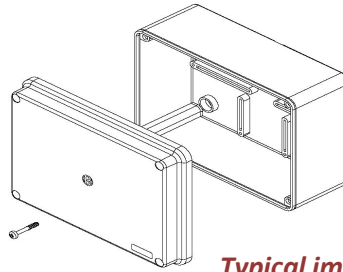
Optional Mounting Plate



26 Northfield Avenue, Edison, NJ 08837 Tel: 732-417-0066 Fax: 732 417-1166

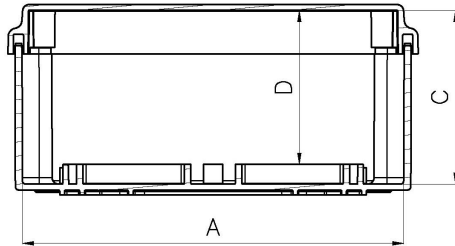
email: iboco@iboco.com website: www.iboco.com

PC-974S



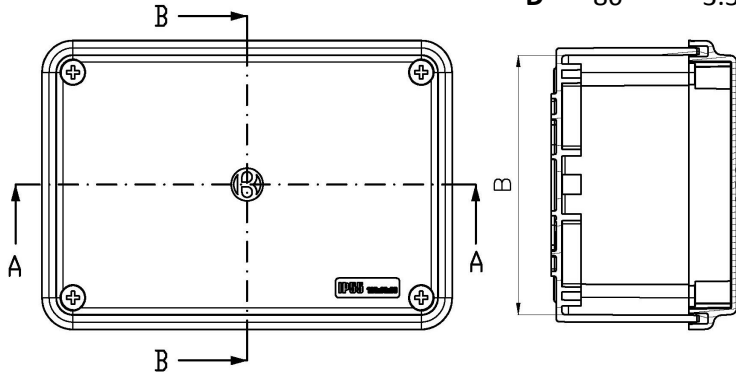
Typical image

Basic Internal Dimensions

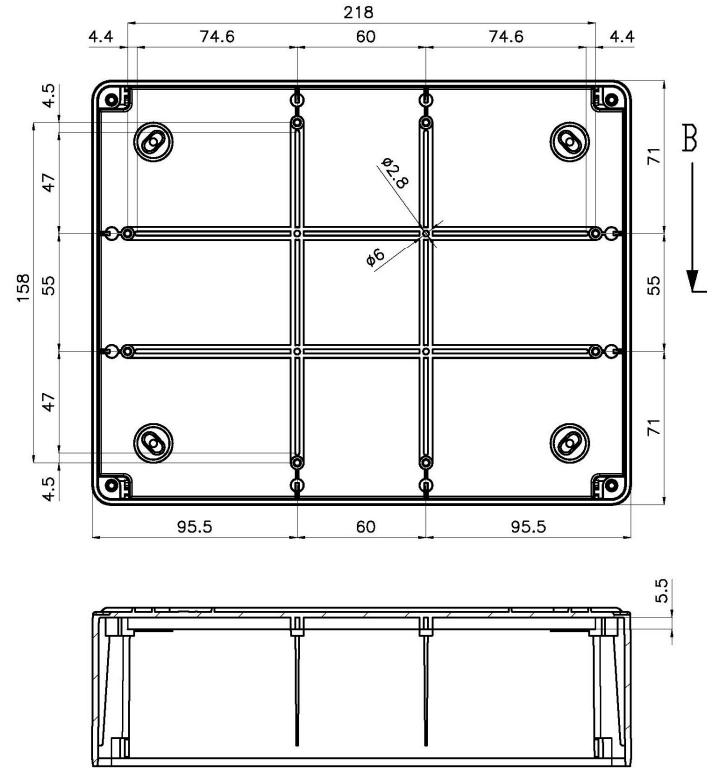


Dimensions:

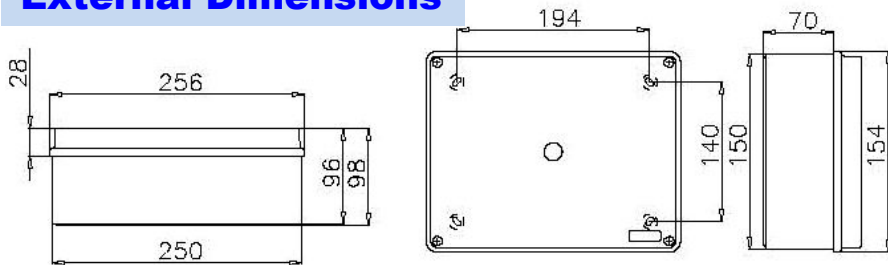
| | mm | in. |
|-----|-----|------|
| A - | 245 | 9.65 |
| B - | 191 | 7.52 |
| C - | 91 | 3.58 |
| D - | 86 | 3.39 |



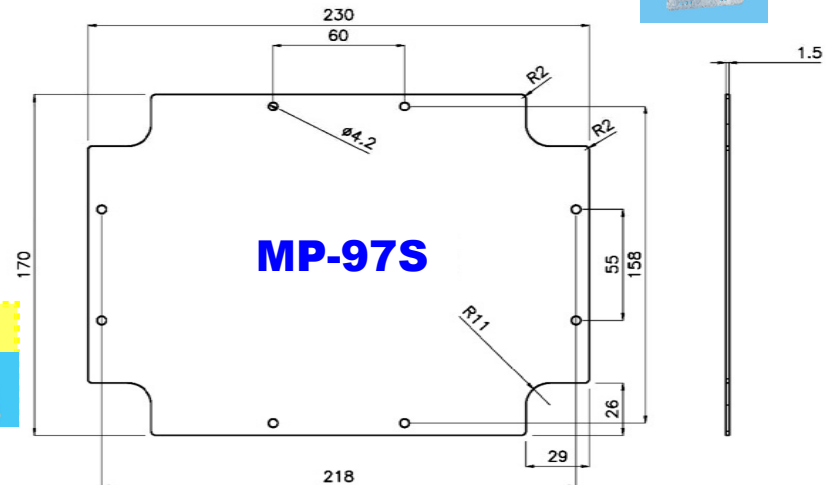
Internal Mounting Dimensions



External Dimensions



Optional Mounting Plate

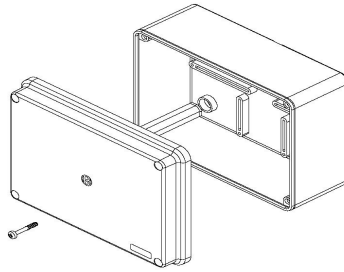


All Dimensions are in Millimeters.

Optional Mounting Feet
Part # MF-97

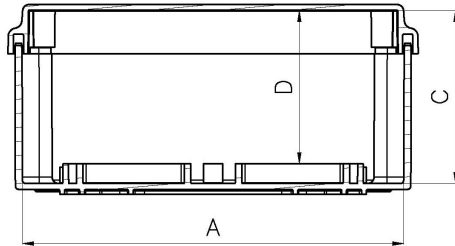


PC-1295S



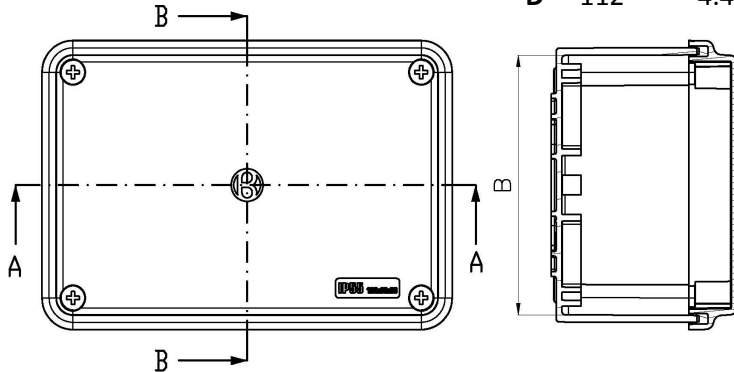
Typical image

Basic Internal Dimensions

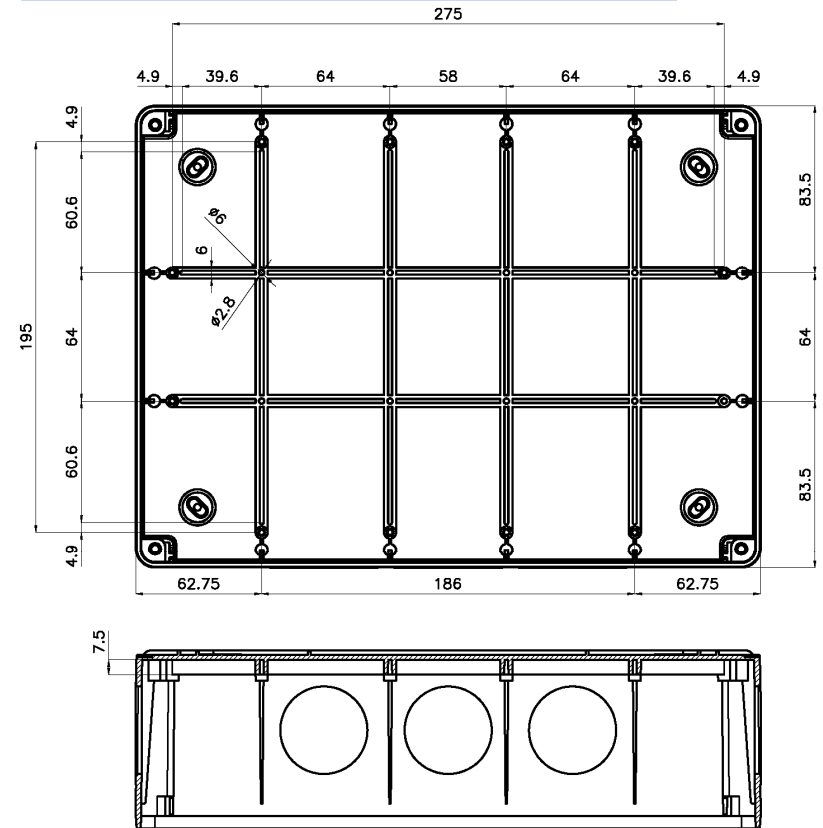


Dimensions:

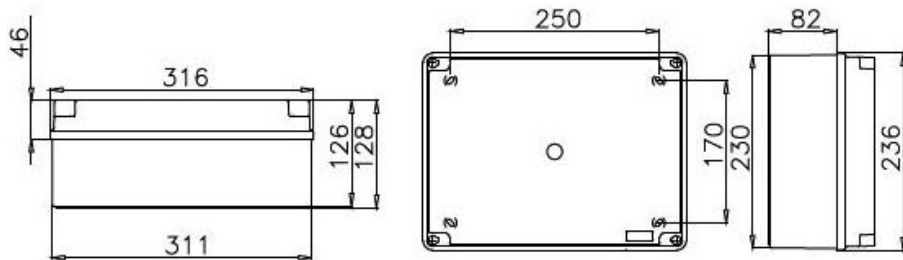
| | mm | in. |
|-----|-----|-------|
| A - | 305 | 12.01 |
| B - | 225 | 8.86 |
| C - | 121 | 4.76 |
| D - | 112 | 4.41 |



Internal Mounting Dimensions



External Dimensions

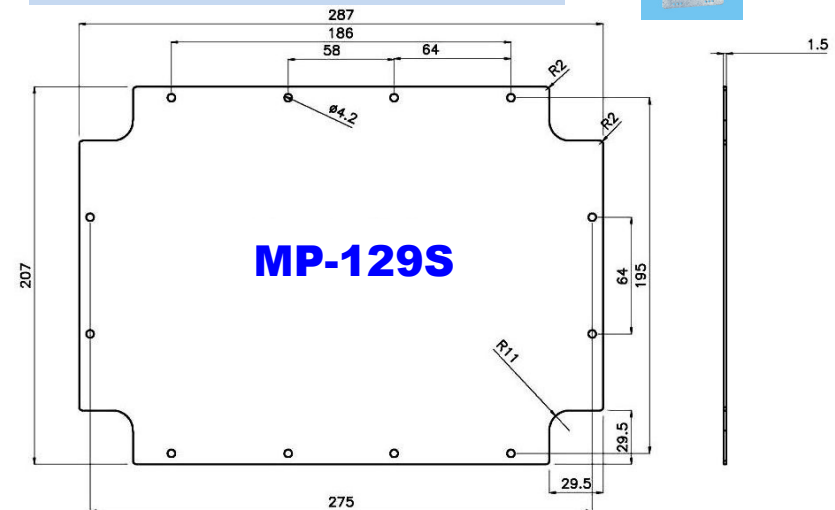


All Dimensions are in Millimeters.

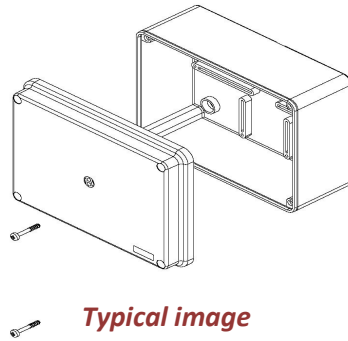
Optional Mounting Feet
Part # - MF-97



Optional Mounting Plate

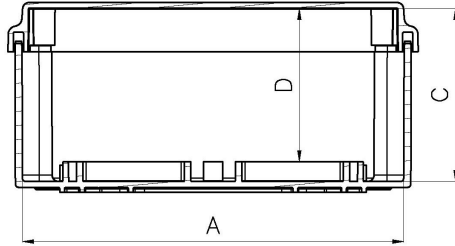


PC-15125S



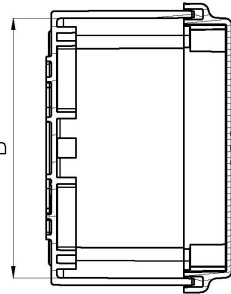
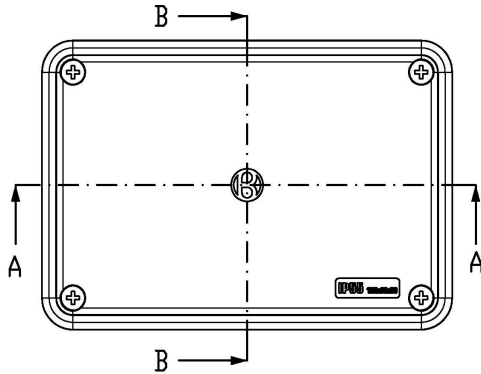
Typical image

Basic Internal Dimensions

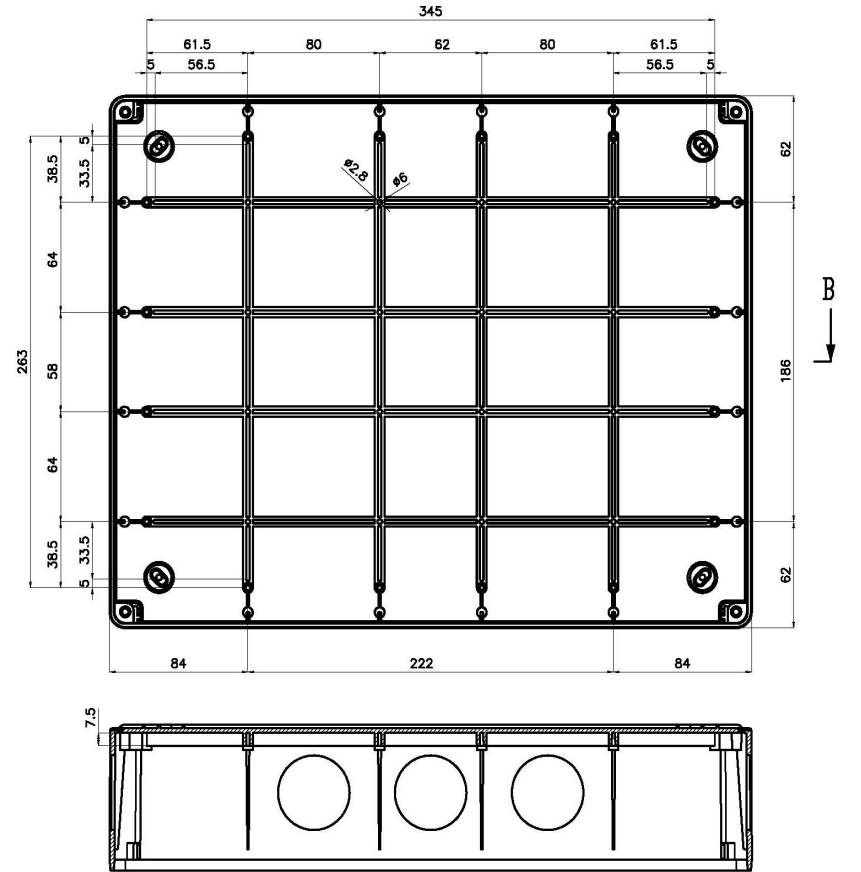


Dimensions:

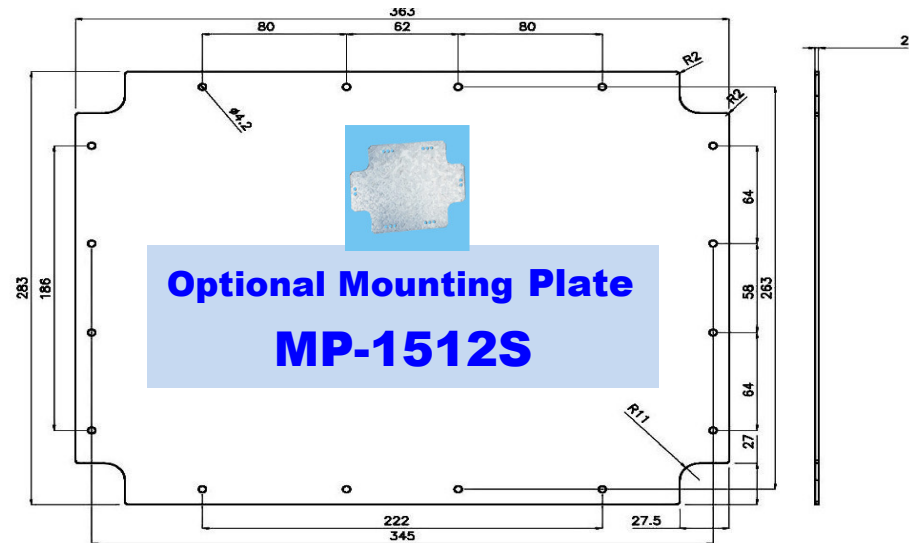
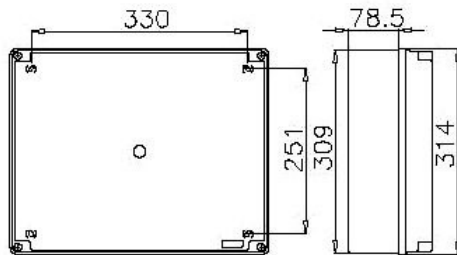
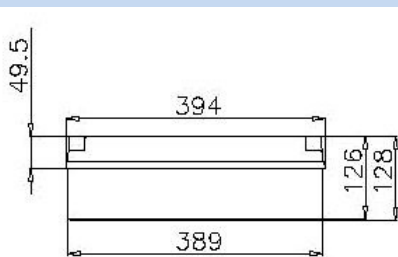
| | mm | in. |
|-----|-----|-------|
| A - | 383 | 15.08 |
| B - | 303 | 11.93 |
| C - | 120 | 4.72 |
| D - | 112 | 4.41 |



Internal Mounting Dimensions



External Dimensions



All Dimensions are in Millimeters.

Optional Mounting Feet

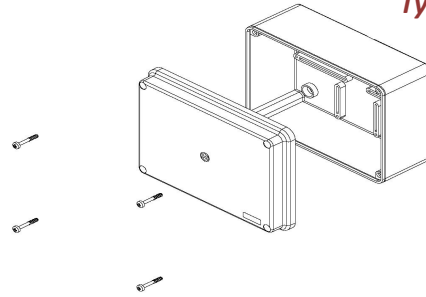
Part # MF-97



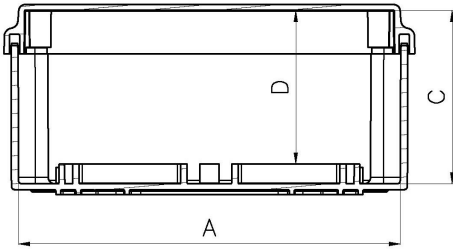
PC-18155S



Typical image

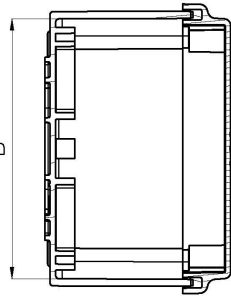
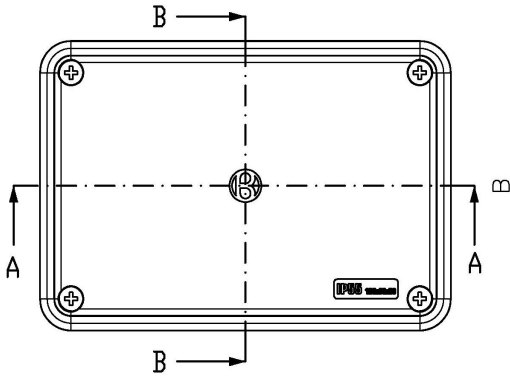


Basic Internal Dimensions

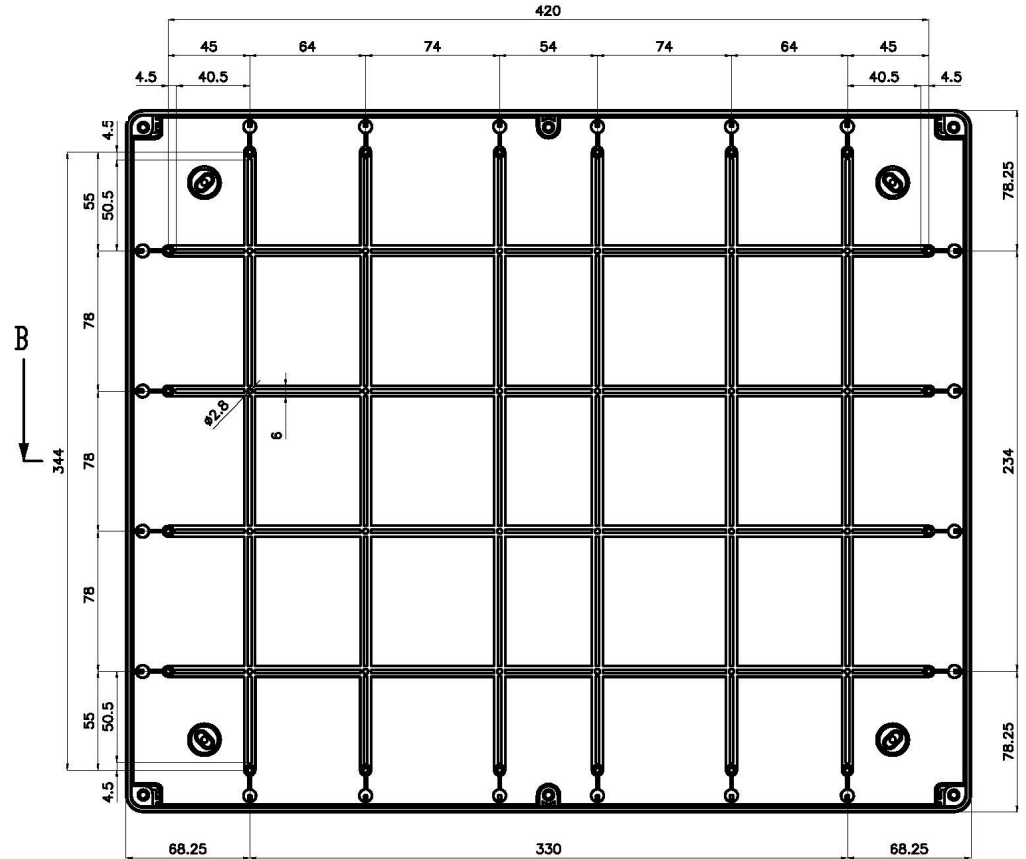


Dimensions:

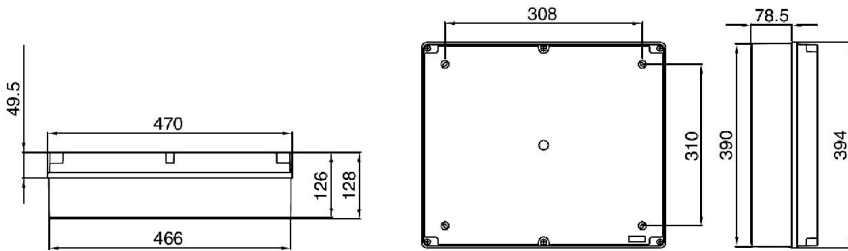
| | mm | in. |
|-----|-----|-------|
| A - | 460 | 18.15 |
| B - | 384 | 15.12 |
| C - | 120 | 4.72 |
| D - | 112 | 4.41 |



Internal Mounting Dimensions



External Dimensions



All Dimensions are in Millimeters.

Optional Mounting Foot
Part # MF-97



Optional Mounting plate
Part # MP-1815S

